

E2632 | Loading arm with vapor return line



FEATURES & BENEFITS

- Petroleum application
- Chemical application
- Long life
- Low maintenance
- Easy handling
- Material: carbon steel/alu, low temperature steel, stainless steel, PTFE-lined
- Temperature range from -50 °C to +50 °C (-53 °F to +122 °F)
- Comprehensive range of safety accessories
- EMCO-high performance swivel joints

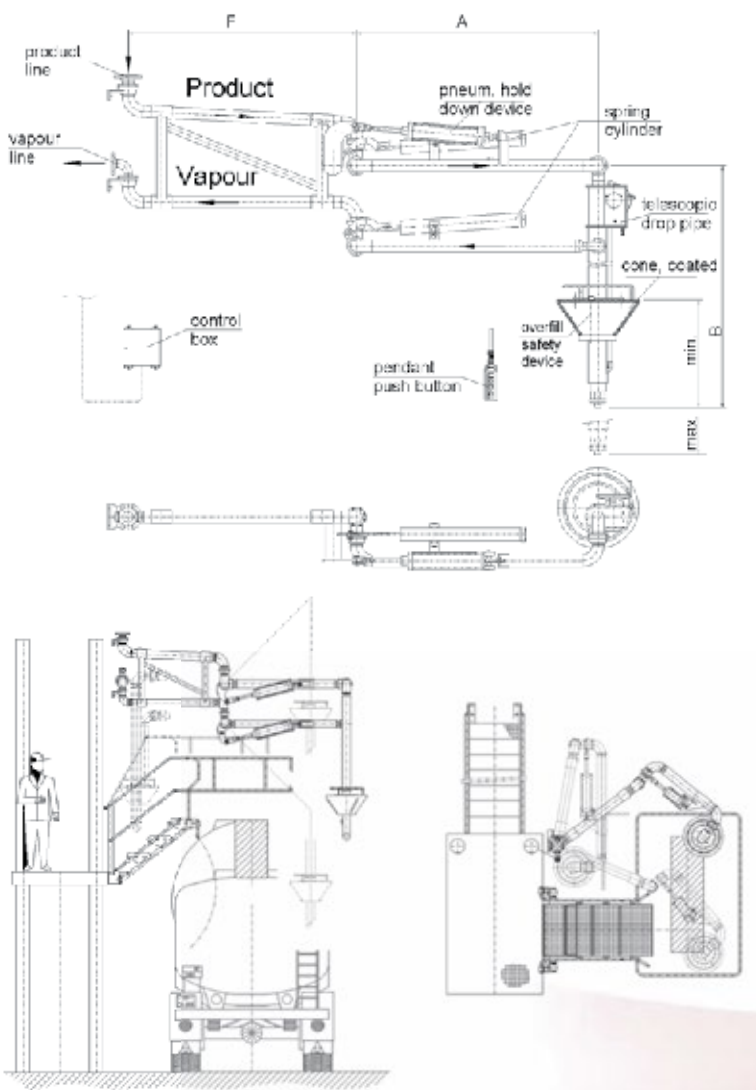
Two boom loaders are connected together to form a new loader type. All movements are performed in parallel - hence the name: EMCO parallel arm. Its advantages: It can be operated like a single arm, i.e. it is highly maneuverable. Both the product and vapor recovery lines are free from pockets.

By loading with vapor return line, the product vapor will be recovered through the loading arm. This improves the profitability of the terminal because vaporized product can be recovered and vapor does not pollute the environment. By loading with sealed manhole a high level of protection is achieved for both the operator and the environment.

Legal requirements and regulations (e.g. EUNorm, TA-Luft) can be met. Loading arms with vapor return lines will be used for hydrocarbons (e.g. gasoline), toxic and aggressive media.

E2632 | Loading arm with vapor return line

MATERIALS AND TECHNICAL DATA					
SIZES:	MATERIALS:	SEALS:	TEMPERATURE RANGE:	DESIGN:	ACCESSORIES:
Product DN 50 - Vapor DN 50	Carbon steel / aluminum Low temperature steel Stainless steel PTFE- lined	NBR EPDM PTFE Special materials	- 50° C to +50° C (-58° F to +122° F)	Piggable Acc. WHG Acc. VbF (International)	Cover plate Cone Telescopic drop pipe
Product DN 80 - Vapor DN 50					
Product DN 100 - Vapor DN 80					
Product DN 150 - Vapor DN 100					



The E2632 is the technically best solution for the loading process with vapor return. Due to the vapor line without slop, collection of condensate is prevented. The design allows heating of product and vapor line. The design of the vapor line with swivel joints gives an easy handling as a further advantage against the use of hoses.



EMCO WHEATON carbon steel swivel joint with hardened ball raceway for a long lifetime! For more details see our data sheet D2000 Swivel Joint.

As a part of a continuous commitment to product development the company reserves the right to alter the specification of its products without prior notice.